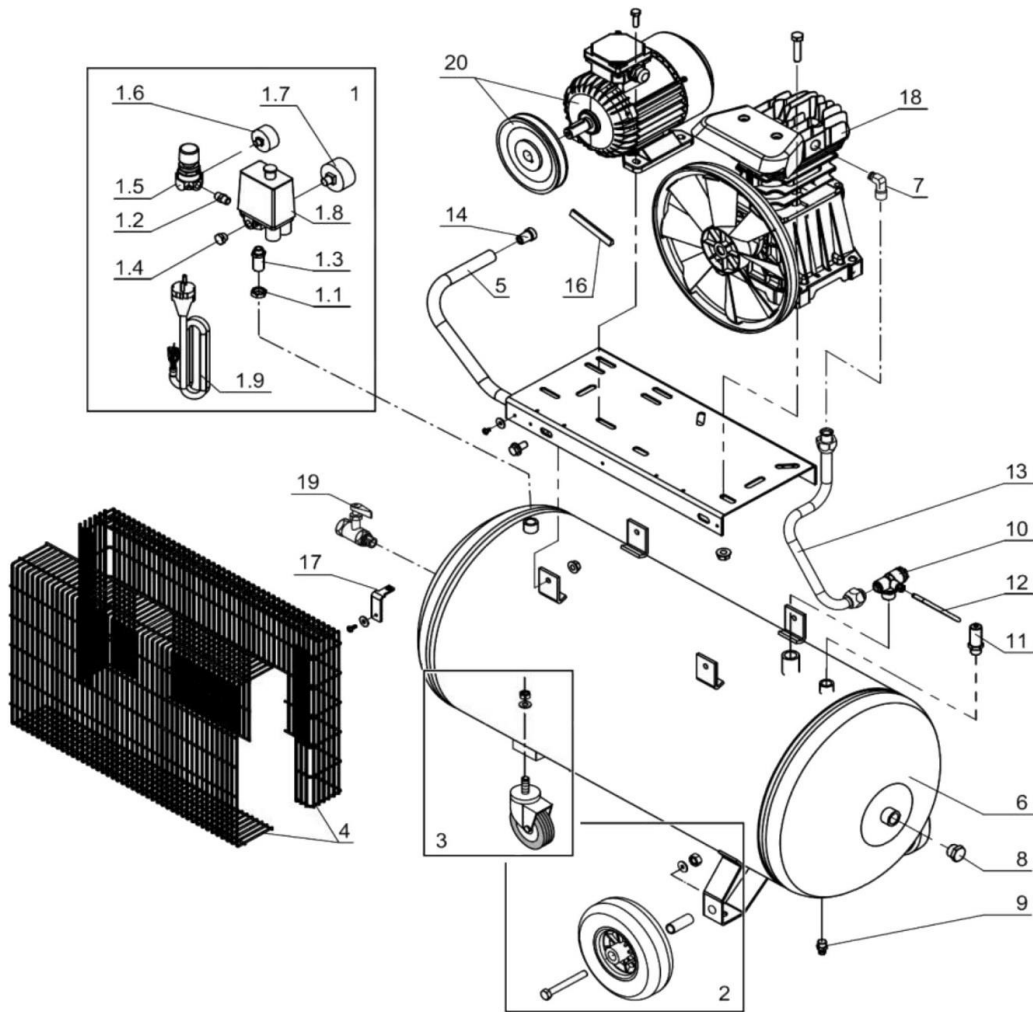




Parts Information:  
**Compressor 100ltr Belt Drive 2hp with Cast  
 Cylinders & Wheels**  
**Model No: SAC1012B.V2**



Item	Part No.	Description
1	SAC4057620000	PRESSURE SWITCH KIT 16/20Amp 12Bar 175Ps
1.1	SAC7023050000	LOCK NUT
1.2	SAC7081090000	JOINT 1/4"
1.3	SAC7088060000	CONNECTOR
1.4	SAC7090090000	PLUG 1/4"
1.5	SAC7100640000	PRESSURE REDUCER
1.6	SAC7110240000	PRESSURE GAUGE 240psi, 40mm OD, REAR FIT
1.7	SAC9700001789	PRESSURE GAUGE 230 psi, 50mm OD, rear fitting
1.8	SAC7250670000	PRESSURE SWITCH
1.9	SAC7329010000	POWER CABLE
2	SAC4083020000	WHEEL KIT (170x41)
3	SAC4083050000	CASTOR WHEEL KIT (SINGLE FIXING)(80x23x1)
4	SAC7240220000	BELT GUARD

Item	Part No.	Description
5	SAC5010990008	BASE PLATE
6	SAC5159151008	TANK 100ltr
7	SAC7080160000	ELBOW 1/2"
8	SAC7090030000	PLUG 1/2
9	SAC7130160000	TAP 3/8"
10	SAC7190090000	NON-RETURN VALVE
11	SAC7192090000	SAFETY VALVE
12	SAC7230010000	RISLAN HOSE (SOLD PER 1 METER)
13	SAC7231680000	DELIVERY PIPE
14	SAC7360020000	END PLUG
16	SAC7370060000	V-BELT
17	SAC7458510000	BELT GUARD SUPPORT
18	SAC9110930000	PUMP (AB268)
19	SAC7130150000	TAP 1/2" M/F
20	SAC4150380000	MOTOR/PULLEY KIT

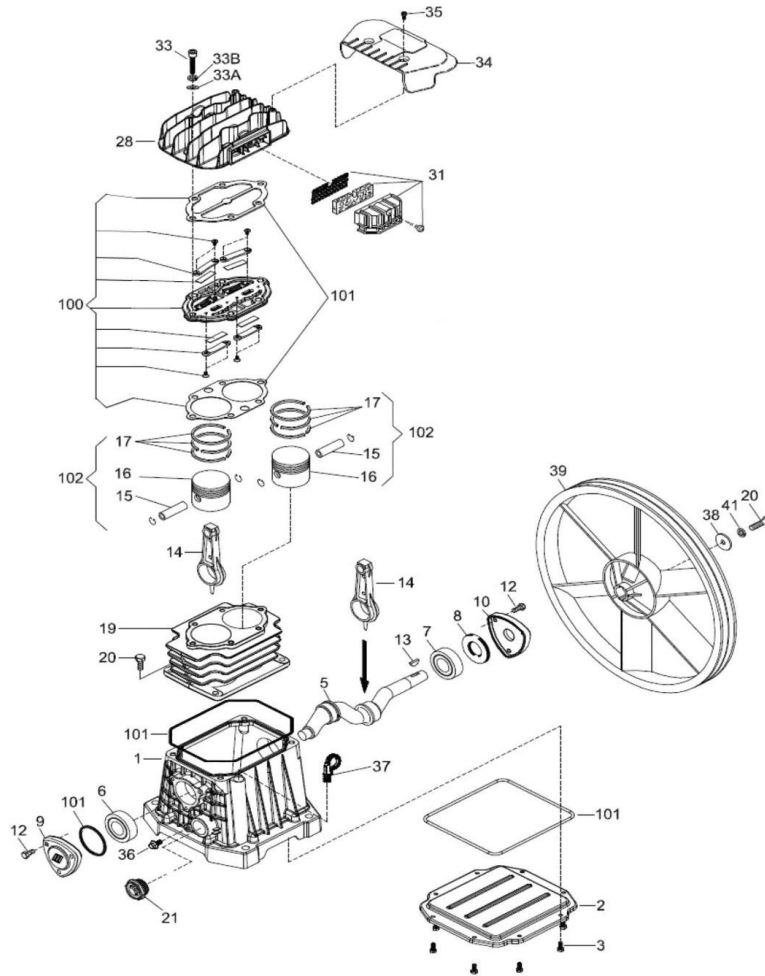


## Butts of Bawtry

Station Yard Bawtry Doncaster South Yorks DN10 6QD UK  
 Tel: 0044 (0)1302 710868 Fax: 0044 (0)1302 719481  
 Web: [www.buttsafbawtry.com](http://www.buttsafbawtry.com) Email: [info@buttsafbawtry.com](mailto:info@buttsafbawtry.com)



Parts Information:  
**Compressor 100ltr Belt Drive 2hp with Cast  
 Cylinders & Wheels**  
**Model No: SAC1012B.V2**



Item	Part No.	Description
1	SAC9700001075	CRANKCASE
2	SAC9700001076	CRANKCASE COVER
3	SAC9700000531	SCREW (M5x12)
5	SAC9100270140	CRANKSHAFT
6	B/6203	BEARING 6203
7	B/6204	BEARING 6204
8	SAC9100270150	OIL SEAL
9	SAC9100270160	FRONT COVER
10	SAC9100270170	REAR COVER
12	SAC7011420000	SCREW (M6x16)
13	SAC9100280020	KEY
14	SAC9100280030	CON-ROD
15	SAC9100020080	PISTON PIN
16	SAC9100020120	PISTON
17	SAC4080030000	PISTON RING SET
19	SAC7575480000	CYLINDER
20	SAC7012220000	SCREW (SO)

Item	Part No.	Description
21	SAC9700000408	OIL LEVEL GAUGE
28	SAC7570140000	HEAD
31	SAC9700000843	INTAKE FILTER SET
33	SCB835.S	SOCKET HEAD CAP SCREW M8x35
33A	FWM8.S	FLAT WASHER M8 SINGLE
33B	SAC9700010087	WASHER
34	SAC9100270220	COVER
35	MSP512.S	MACHINE SCREW PAN HEAD PHILLIPS M5x12mm
36	SS616.S	HEX HEAD SET SCREW M6x16mm SINGLE
37	SAC9700000300	BREATHER PLUG
38	RW825.S	REPAIR WASHER M8x25 (SINGLE)
39	SAC9100270230	FLYWHEEL
41	SAC9700010087	WASHER
100	SAC9700003272	VALVE PLATE ASS'Y
101	SAC9700003271	GASKET SET
102	SAC4291030000	PISTON GROUP

**NOTE:** It is our policy to continually improve products and as such we reserve the right to alter data, specifications and component parts without prior notice.

**IMPORTANT:** No liability is accepted for incorrect use of product.

**WARRANTY:** Guarantee is 12 months from purchase date, proof of which will be required for any claim.

**Sealey Group**, Kempson Way, Suffolk Business Park, Bury St Edmunds, Suffolk. IP32 7AR



01284 757500



01284 703534



sales@sealey.co.uk



www.sealey.co.uk